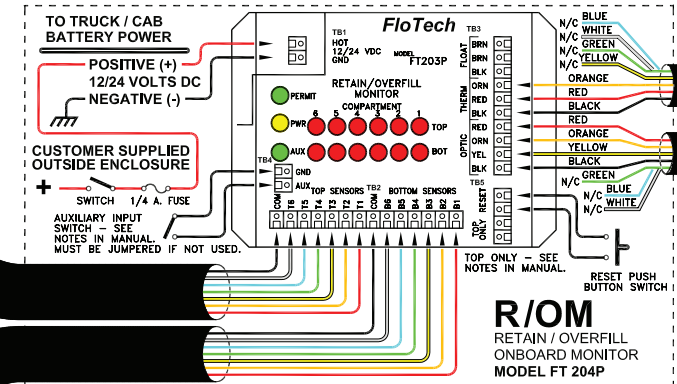
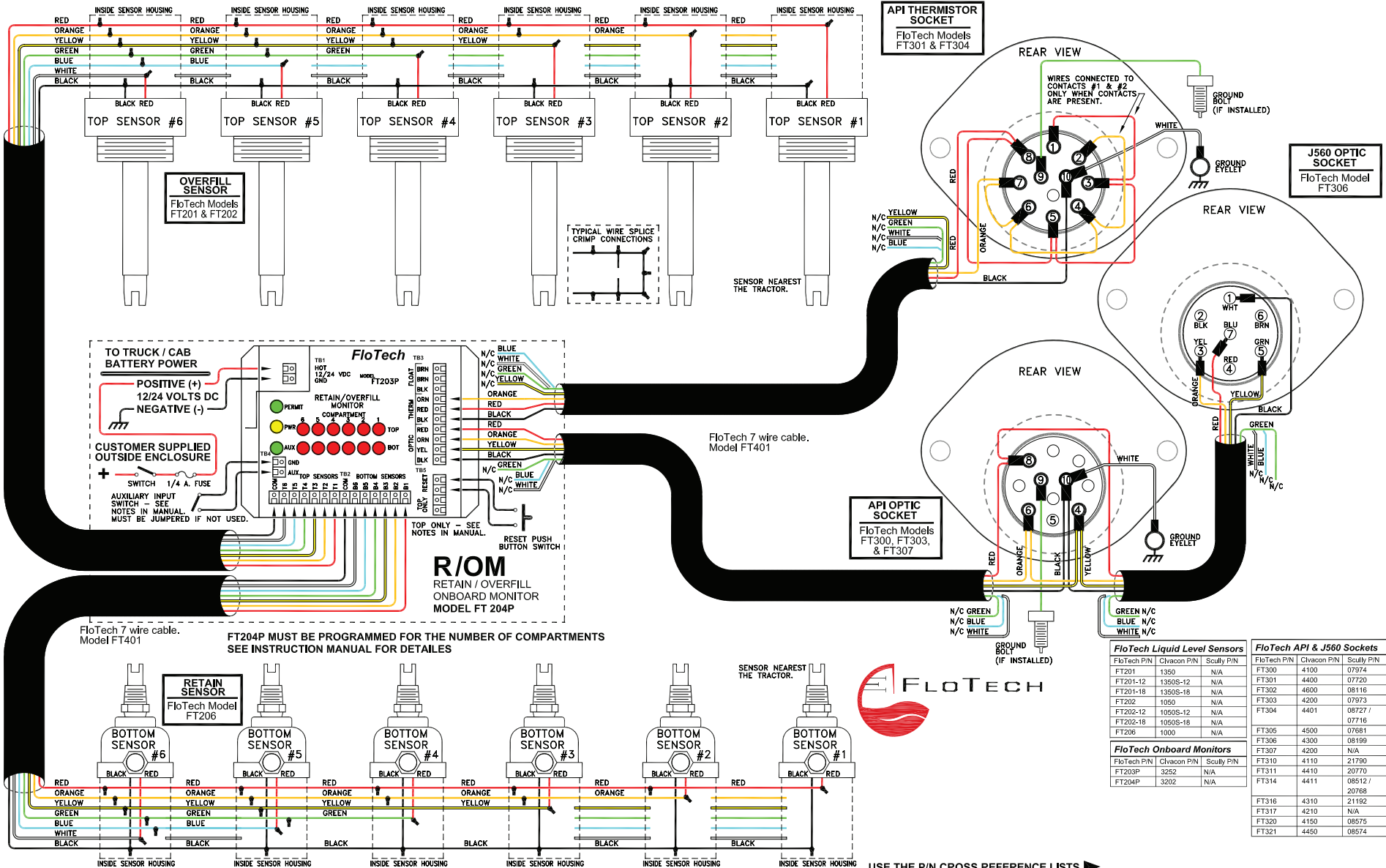


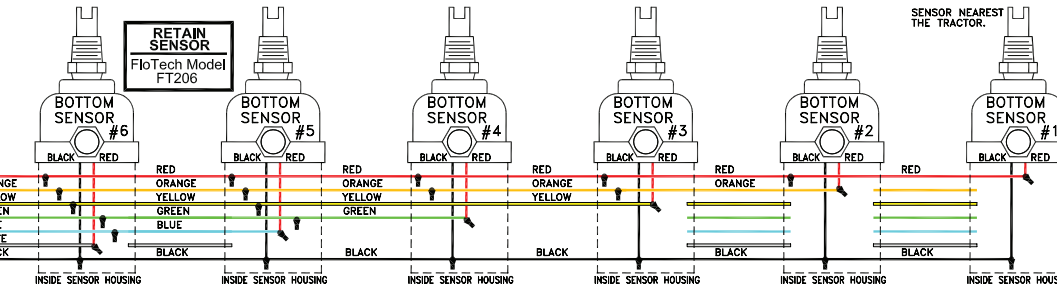


The Right Connection®

# R/OM Type Retain and Overfill System



FloTech 7 wire cable, Model FT401  
**FT204P MUST BE PROGRAMMED FOR THE NUMBER OF COMPARTMENTS SEE INSTRUCTION MANUAL FOR DETAILS**



FloTech Liquid Level Sensors			FloTech API & J560 Sockets		
FloTech P/N	Clacon P/N	Scully P/N	FloTech P/N	Clacon P/N	Scully P/N
FT201	1350	N/A	FT300	4100	07974
FT201-12	1350S-12	N/A	FT301	4400	07720
FT201-18	1350S-18	N/A	FT302	4600	08116
FT202	1050	N/A	FT303	4200	07973
FT202-12	1050S-12	N/A	FT304	4401	08727 / 07716
FT202-18	1050S-18	N/A	FT305	4500	07681
FT206	1000	N/A	FT306	4300	08199
FloTech Onboard Monitors			FloTech API & J560 Sockets		
FloTech P/N	Clacon P/N	Scully P/N	FloTech P/N	Clacon P/N	Scully P/N
FT203P	3252	N/A	FT307	4200	N/A
FT204P	3202	N/A	FT310	4110	21790
			FT311	4410	20770
			FT314	4411	08512 / 20768
			FT316	4310	21192
			FT317	4210	N/A
			FT320	4150	08575
			FT321	4450	08574

USE THE P/N CROSS REFERENCE LISTS