

ASME Air Receiver Manifolds

Features

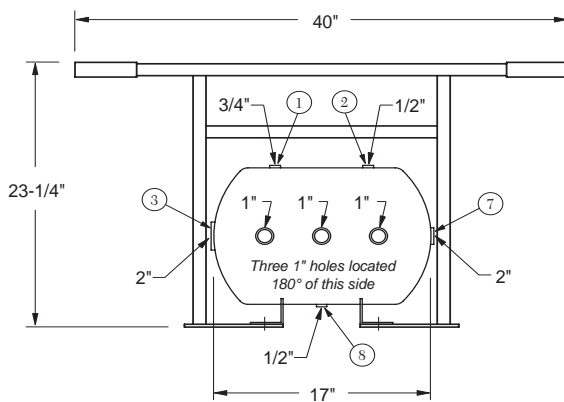
- 7-gallon capacity
- Painted safety orange
- All openings are female NPT thread
- Special configurations available

Specifications

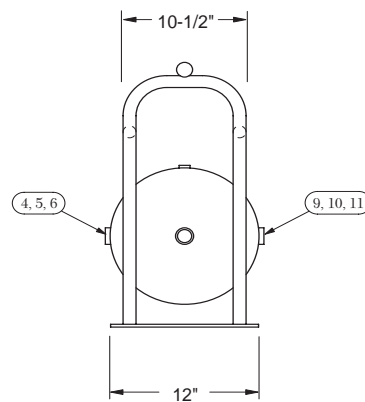
- Working pressure: **200 PSI**
- Built to ASME Code, National Board registered
- Conforms to OSHA standards 1910.169 and 1926.306



1217AR-4AK



1217AR-4FR



Dixon® 1217AR-4AK air receiver manifold assembly with Air King® outlet ports includes the following components:

| Part # / Locations | Qty | Description |
|------------------------------|-----|--|
| 1217AR-4 | 1 | ASME compressed air receiver |
| 1217FRAME | 1 | protective frame |
| Location 1 | 1 | 3731204C 3/4" male x 1/4" female hex bushing |
| Location 2 | 1 | GL345 0-300 PSI gauge |
| Location 3 | 1 | 3730804C 1/2" male x 1/4" female hex bushing |
| Locations 4, 5, 6, 9, 10, 11 | 1 | SV200 safety pop-off valve |
| Location 7 | 1 | GM28 2" male spud |
| Location 8 | 1 | B27SC wing nut cap |
| | 6 | HB1075G 1" male x 3/4" female bushings |
| | 6 | 3701212C 3/4" brass hex nipples |
| | 6 | BBLV75 ball valves |
| | 6 | SCVS6 safety shut-off valves |
| | 6 | AM7 Air King universal couplings |
| | 4 | SE45100 45° street elbow (1 each in locations 4, 6, 9 and 11 only) |
| | 1 | HB2075 2" male x 3/4" female bushing |
| | 1 | 3701212C 3/4" brass hex nipples |
| | 1 | BBLV75 ball valve |
| | 1 | SCVS6 safety shut-off valve |
| | 1 | AM7 Air King universal coupling |
| | 1 | 3730804C 1/2" male x 1/4" female hex bushing |
| | 1 | D04 1/4" drain cock |
| | --- | --- |
| 1217AR-4AK | 1 | 7-gallon ASME compressed air receiver manifold complete assembly with Air King Tank and Frame only |
| 1217AR-4FR | 1 | 7-gallon ASME compressed air receiver with frame only |