

## O-Ring Swivel Joints

### Applications

- Commonly used in aluminum loading/unloading arm applications

### Sizes

- 1" - 4"

### Features

- O-ring pressure seal ensures a leak-proof seal and smooth rotation with lower torque
- Smooth moving seal for high-volume drum and tote loading
- Swivel end configurations: 150 lb. and 300 lb. flanges, FNPT, MNPT, butt weld, TTMA, and others upon request

### Materials

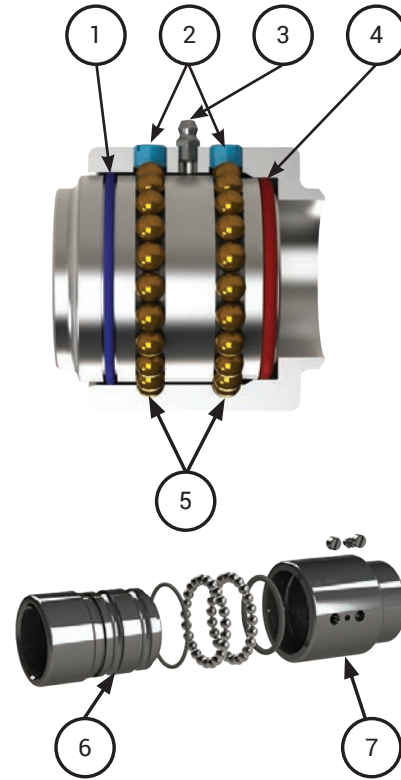
- Available in carbon steel, 316L stainless steel, aluminum, brass, and malleable iron

### Specification

- Available working pressure ratings up to **1,000 PSI**

### Bill of Materials

1. O-ring (dust) seal
2. Ball retainer screw
3. Grease fitting
4. O-ring (pressure) seal
5. Ball bearings
6. Sleeve
7. Body



C

## V-Ring Swivel Joints

### Applications

- V-ring, also known as chevron packing, is a multiple lip seal known for its reliability and long life
- Designed to seal even under misalignment caused by race wear from years of service

### Sizes

- 2" - 12"

### Features

- Three lip seals and the ability to seal even if the unit is in misalignment result in longer time between service periods, increasing up-time efficiencies, and lowering maintenance costs
- Spring-loaded triple V-ring sealing system ensures a leak-proof seal at high or low pressure and extends seal life
- Swivels are shipped standard with the following:
  - Nitrile rubber pressure seals and dust seals
  - Carbon steel ball bearings
  - PTFE retainers in V-ring swivels

### Materials

- Carbon steel, 316L stainless steel, and aluminum

### Specification

- Available working pressure ratings up to **1,000 PSI**

### Bill of Materials

- |                           |                        |
|---------------------------|------------------------|
| 1. Body                   | 6. Spring retainer     |
| 2. Sleeve                 | 7. Spring              |
| 3. Ball bearings          | 8. Ball retainer screw |
| 4. Seal retainer          | 9. Grease fitting      |
| 5. V-ring (pressure) seal | 10. O-ring (dust seal) |

