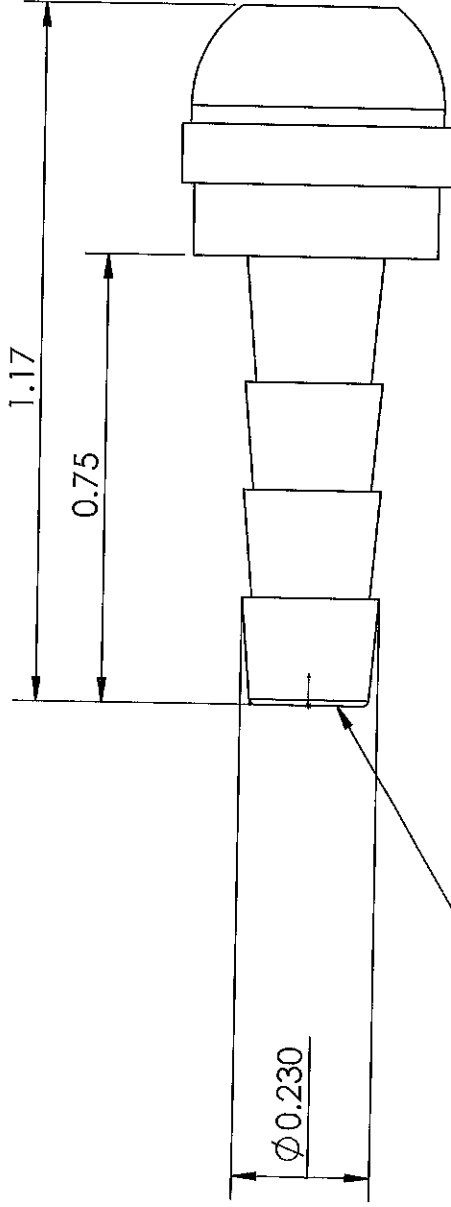
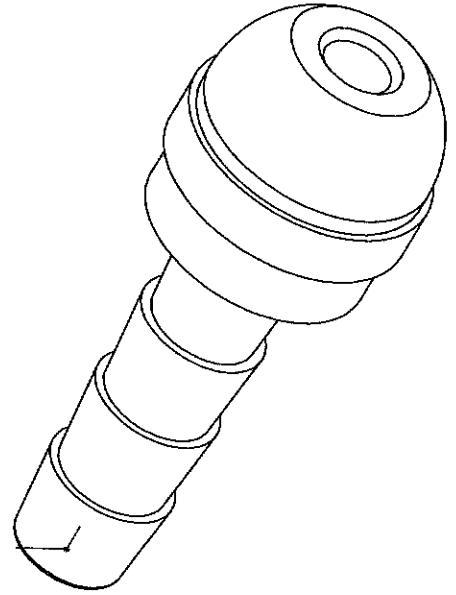


LINE DRAWING NOT FOR PRODUCTION PURPOSES



THRU HOLE DIA. .125



THIS DRAWING CONTAINS INFORMATION DEEMED PROPRIETARY TO DIXON BRASS AND IS SO TO BE USED ONLY FOR THE PURPOSE FOR WHICH IT IS SUBMITTED, AND FURTHER, SHALL NOT BE COPIED IN WHOLE OR IN PART WITHOUT EXPRESS WRITTEN PERMISSION FIRST OBTAINED FROM DIXON BRASS. UNLESS OTHERWISE SPECIFIED:

DIMENSIONS ARE IN INCHES
TOLERANCES: ± 0.015
ANGLES: $\pm 0.30^\circ$
.XX (± 0.10)
.XXX (± 0.05)
DIMENSIONS PER ANSI Y14.5

Dixon Brass
Westmont, Illinois USA

DATE 2/27/14
DRAWN P. MCNAGHAN
APPROVED
DATE

ECO NO.

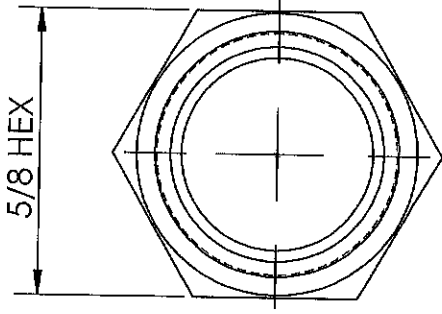
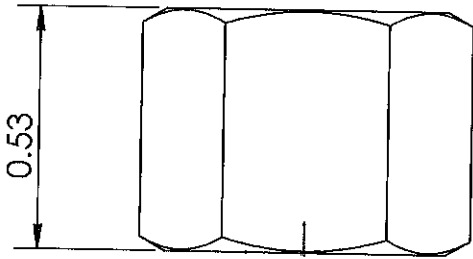
DRAWING NOT REPRODUCED TO SCALE

TITLE: 3/16 SWIVEL STEM BALL TYPE

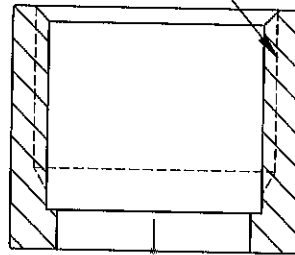
SIZE **A** DWG. NO. 1240304S

REV **C**

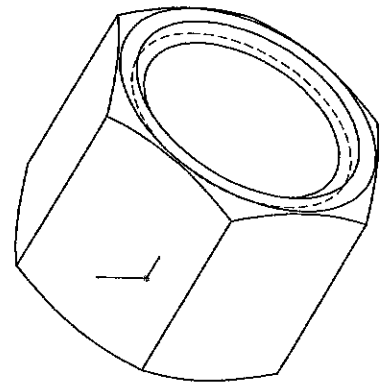
LINE DRAWING NOT FOR PRODUCTION PURPOSES



(THRU HOLE DIA.) $\phi 0.42$



1/4 - 18 NPSM
THREAD



THIS DRAWING CONTAINS INFORMATION DEEMED PROPRIETARY TO DIXON BRASS AND IS SO TO BE USED ONLY FOR THE PURPOSE FOR WHICH IT IS SUBMITTED, AND FURTHER, SHALL NOT BE COPIED IN WHOLE OR IN PART WITHOUT EXPRESS WRITTEN PERMISSION FIRST OBTAINED FROM DIXON BRASS. UNLESS OTHERWISE SPECIFIED:

DIMENSIONS ARE IN INCHES
 TOLERANCES:
 ANGLES: $\pm 0^{\circ}30'$
 .X (± 0.15)
 .XX (± 0.10)
 .XXX (± 0.005)
 DIMENSIONS PER ANSI Y14.5

Dixon Brass
Westmont, Illinois USA

DATE: 2/27/14
 DRAWN BY: P. MONAGHAN
 APPROVED BY: [Signature]
 ECO NO.:

TITLE: FEMALE SWIVEL NUT
1/4 - 18 NPSM

SIZE: A
 DWG. NO.: 1240604N
 REV: B

DRAWING NOT REPRODUCED TO SCALE