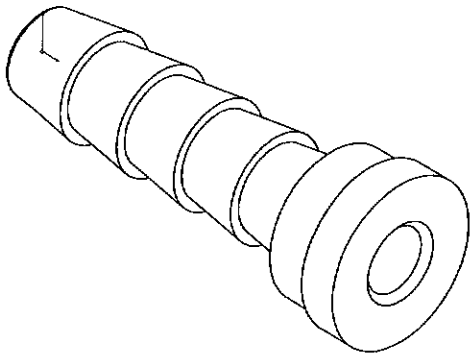
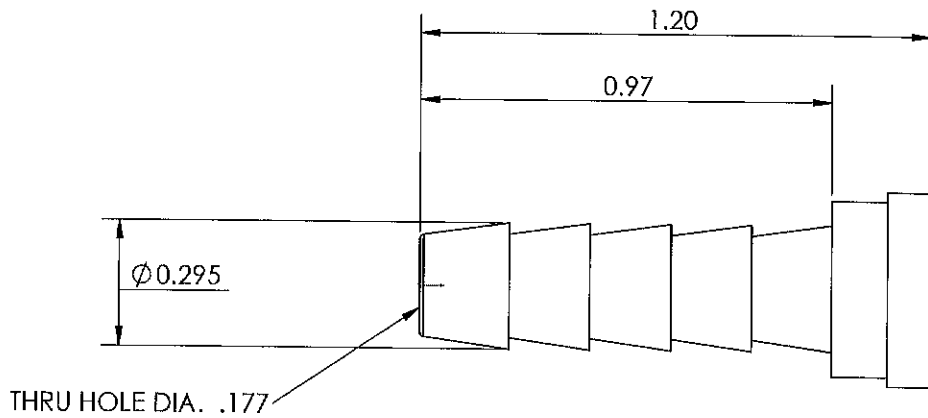

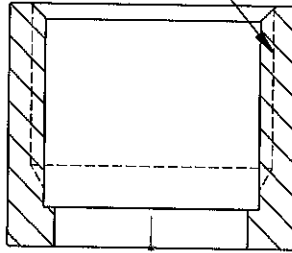
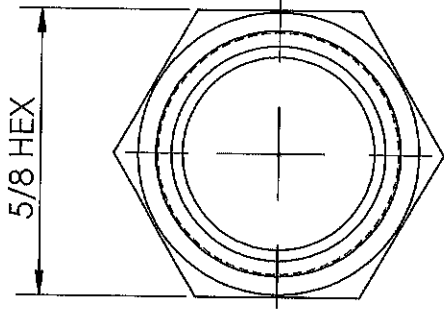
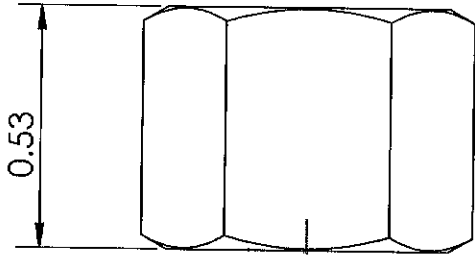


LINE DRAWING NOT FOR PRODUCTION PURPOSES



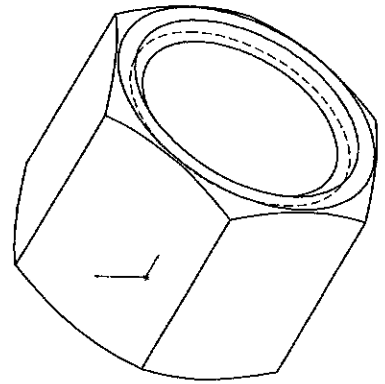
THIS DRAWING CONTAINS INFORMATION DEEMED PROPRIETARY TO DIXON BRASS AND IS TO BE USED ONLY FOR THE PURPOSE FOR WHICH IT IS SUBMITTED, AND FURTHER, SHALL NOT BE COPIED IN WHOLE OR IN PART WITHOUT EXPRESS WRITTEN PERMISSION FIRST OBTAINED FROM DIXON BRASS.			
UNLESS OTHERWISE SPECIFIED:			
DIMENSIONS ARE IN INCHES		 Dixon Brass Westmont, Illinois USA	DRAWN P. MONAGHAN DATE 2/28/14
TOLERANCES: ANGLES: ±0°30' .X (±.015) .XX (±.010) .XXX (±.005)			APPROVED DATE
DIMENSIONS PER ANSI Y14.5		TITLE: 1/4 SWIVEL STEM GASKET SEAT TYPE	DRAWING NOT REPRODUCED TO SCALE SIZE A DWG. NO. 1260404S REV D

LINE DRAWING NOT FOR PRODUCTION PURPOSES



(THRU HOLE DIA.) $\varnothing 0.42$

1/4 - 18 NPSM
THREAD



THIS DRAWING CONTAINS INFORMATION DEEMED PROPRIETARY TO DIXON BRASS AND IS SO TO BE USED ONLY FOR THE PURPOSE FOR WHICH IT IS SUBMITTED, AND FURTHER, SHALL NOT BE COPIED IN WHOLE OR IN PART WITHOUT EXPRESS WRITTEN PERMISSION FIRST OBTAINED FROM DIXON BRASS. UNLESS OTHERWISE SPECIFIED:		DRAWN P. MONAGHAN		DATE 2/27/14	
DIMENSIONS ARE IN INCHES		DIXON The Right Connection SM		Dixon Brass Westmont, Illinois USA	
TOLERANCES: ANGLES: ±0°30' X (±.015) XX (±.010) XXX (±.005)		ECO NO.		DRAWING NOT REPRODUCED TO SCALE	
DIMENSIONS PER ANSI Y14.5		TITLE: FEMALE SWIVEL NUT 1/4 - 18 NPSM		SIZE A	REV B
		DWG. NO. 1240604N			