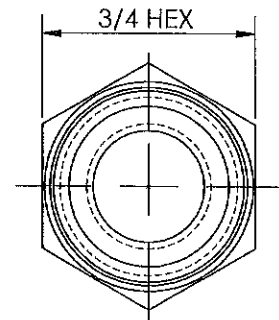
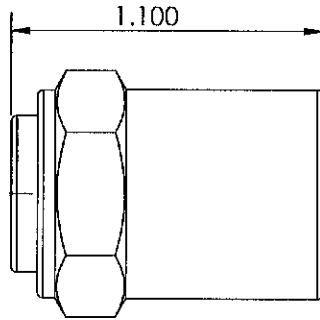
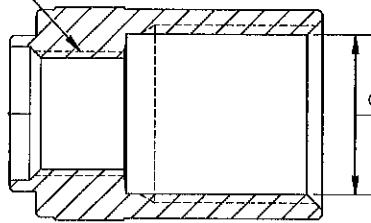


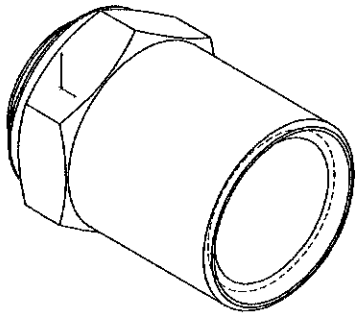
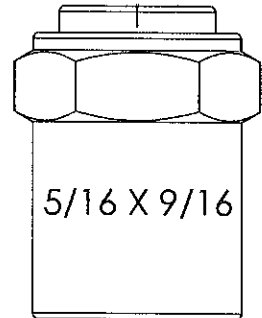
LINE DRAWING NOT FOR PRODUCTION PURPOSES




7/16 - 20 UNF2B  
HOSE I.D. 5/16

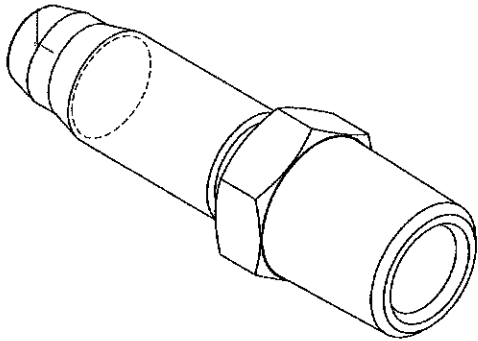
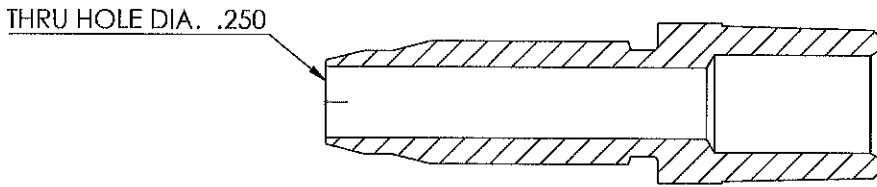
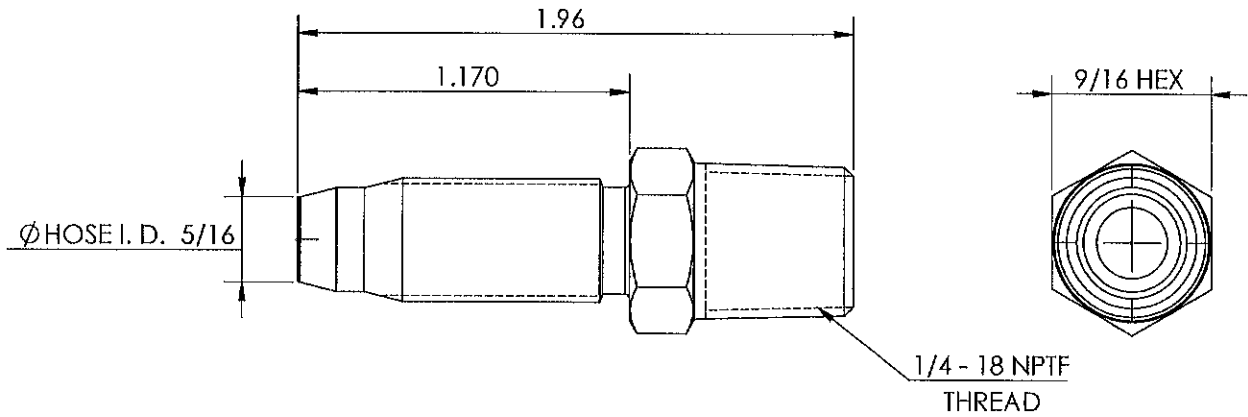



Ø HOSE O.D. 9/16



THIS DRAWING CONTAINS INFORMATION DEEMED PROPRIETARY TO DIXON BRASS AND IS SO TO BE USED ONLY FOR THE PURPOSE FOR WHICH IT IS SUBMITTED, AND FURTHER, SHALL NOT BE COPIED IN WHOLE OR IN PART WITHOUT EXPRESS WRITTEN PERMISSION FIRST OBTAINED FROM DIXON BRASS.			
UNLESS OTHERWISE SPECIFIED:		DRAWN P. MONAGHAN DATE 4/17/15	
DIMENSIONS ARE IN INCHES		APPROVED DATE	
TOLERANCES: ANGLES: ±0°30' .X (±.015) .XX (±.010) .XXX (±.005)		ECO NO.	
DIMENSIONS PER ANSI Y14.5		DRAWING NOT REPRODUCED TO SCALE	
 <b>Dixon Brass</b> Westmont, Illinois USA		SIZE <b>A</b>	REV <b>B</b>
TITLE: REUSABLE FERRULE		DWG. NO. 1800509F	

LINE DRAWING NOT FOR PRODUCTION PURPOSES



THIS DRAWING CONTAINS INFORMATION DEEMED PROPRIETARY TO DIXON BRASS AND IS SO TO BE USED ONLY FOR THE PURPOSE FOR WHICH IT IS SUBMITTED, AND FURTHER, SHALL NOT BE COPIED IN WHOLE OR IN PART WITHOUT EXPRESS WRITTEN PERMISSION FIRST OBTAINED FROM DIXON BRASS.			
UNLESS OTHERWISE SPECIFIED:		DRAWN	
DIMENSIONS ARE IN INCHES		P. MONAGHAN	
TOLERANCES:		DATE	
ANGLES: $\pm 0^{\circ}30'$		APPROVED	
.X ( $\pm .015$ )		DATE	
.XX ( $\pm .010$ )		ECO NO.	
.XXX ( $\pm .005$ )		DRAWING NOT REPRODUCED TO SCALE	
DIMENSIONS PER ANSI Y14.5		SIZE DWG. NO. REV	
 <b>Dixon Brass</b> Westmont, Illinois USA		A 1820504S B	
TITLE: REUSABLE MALE STEM			