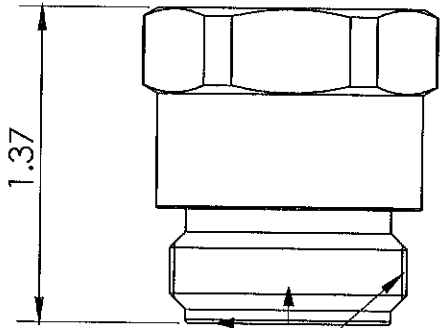
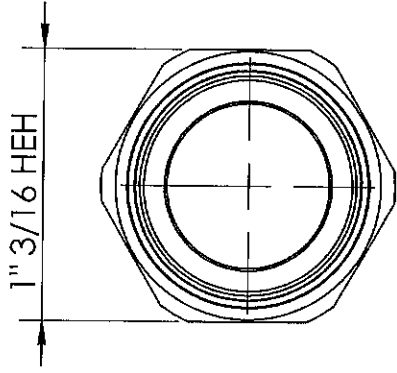


LINE DRAWING NOT FOR PRODUCTION PURPOSES

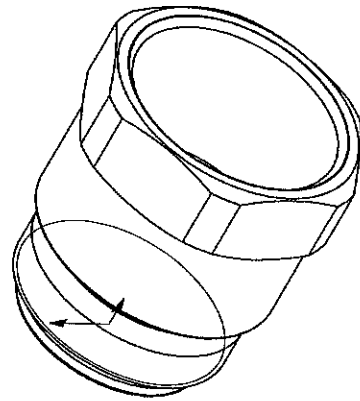
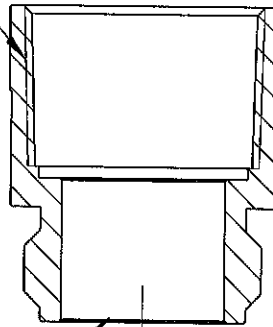


3/4 - 11 - 1/2 N.H.




THRU HOLE 23/32

3/4 NPTF Tapped Hole



MATERIAL ALLOY 2754 LEAD FREE BRASS

 <b>Dixon Brass</b> Westmont, Illinois USA	DRAWN P-MONAGHAN	DATE 10/28/19
	APPROVED	DATE
ECO NO.		
DO NOT SCALE THIS DRAWING		
TITLE: 3/4 MALE HOSE X 3/4 NPTF FEMALE	SIZE A	DWG. NO. 5071212CLF
		REV A

This drawing is owned by Dixon Valves, Coupling Co. and shall be returned upon demand. It is loaned on condition that it shall not be copied or reproduced or submitted to any third party without the written consent of Dixon Valves, Coupling Co. If the recipient further agrees that this drawing is confidential or proprietary information, the recipient shall not be used in any way detrimental to or in competition with the owner. If the recipient does not agree to the terms of this agreement they shall return this drawing immediately. The information contained in this drawing is subject to change without notice.