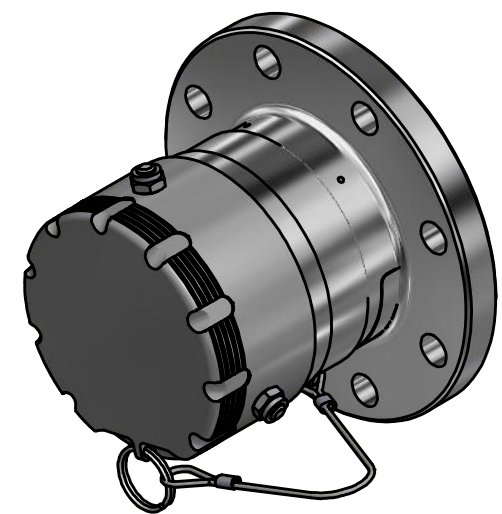
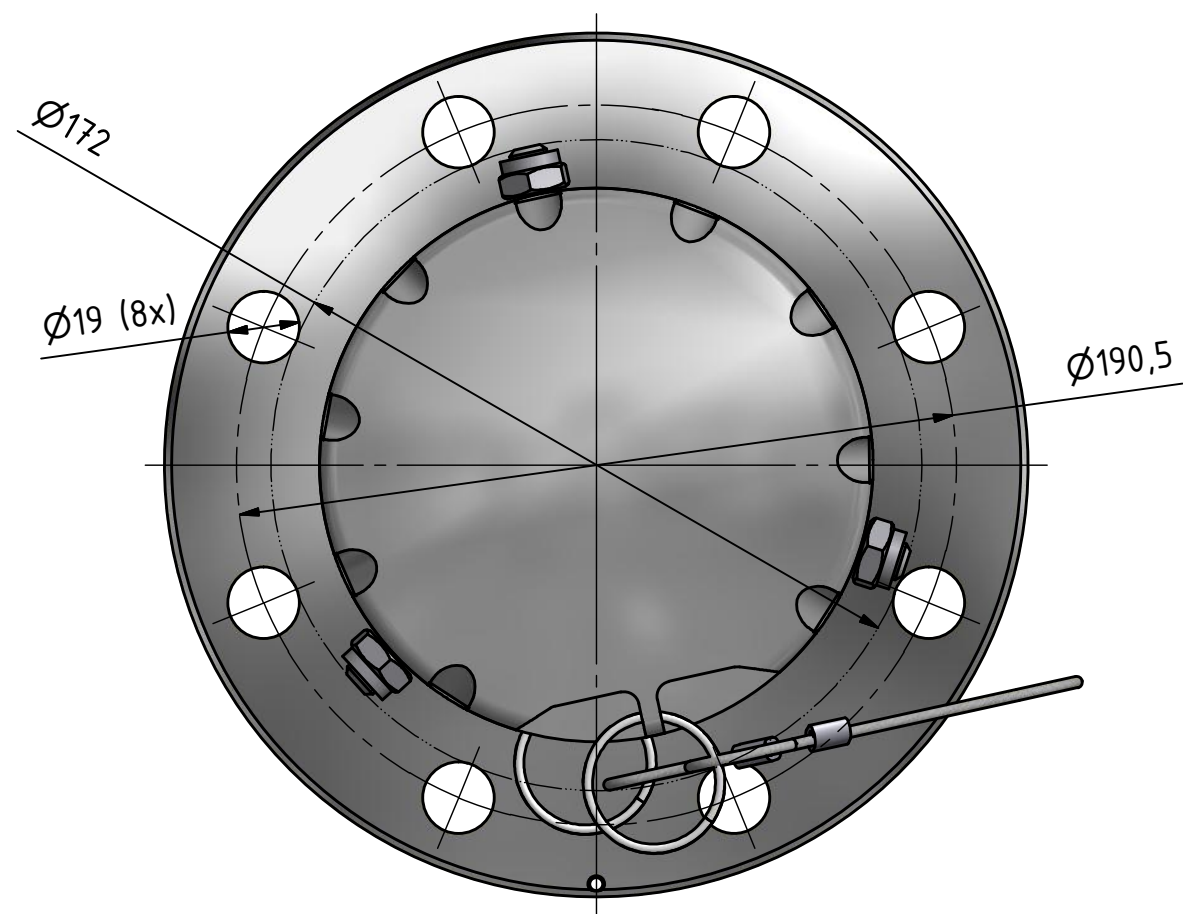
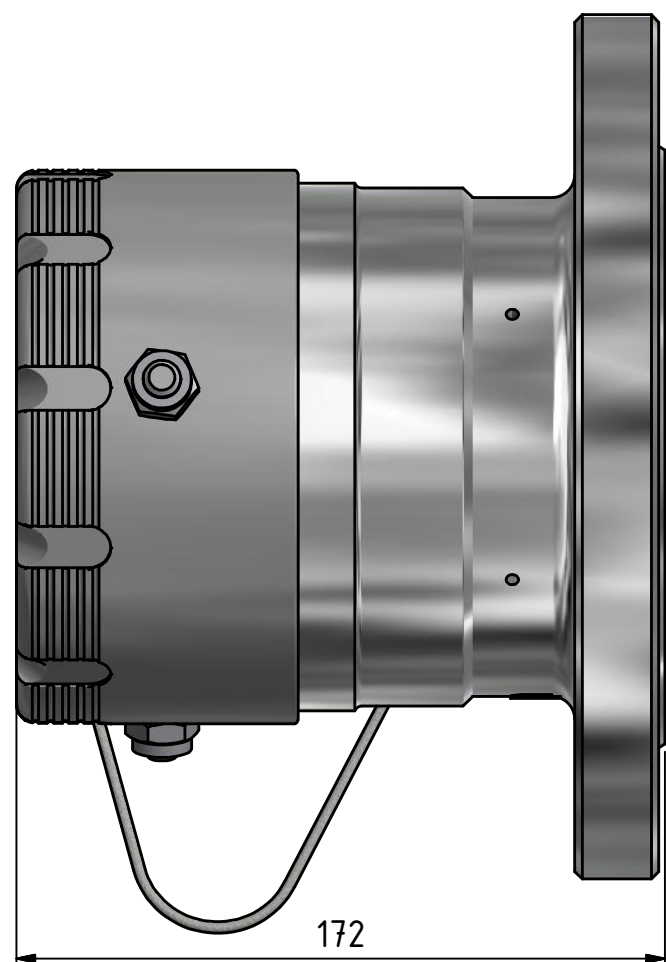
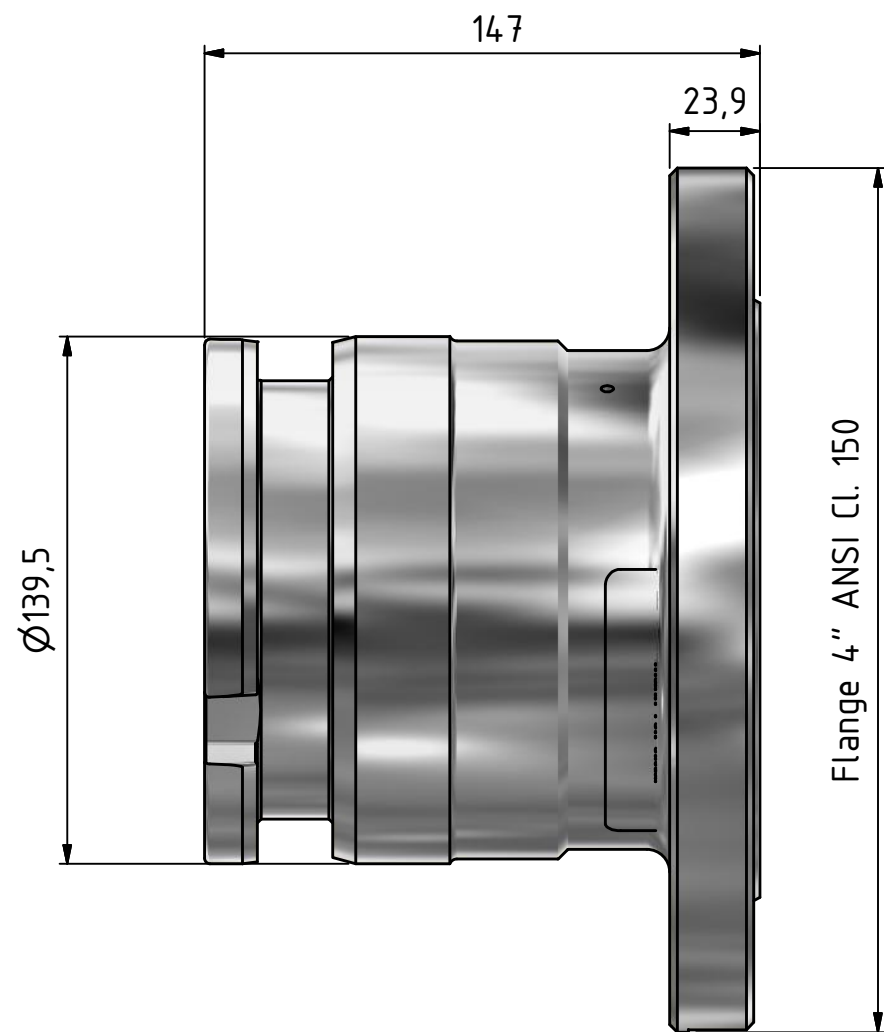


Notice: This drawing contains proprietary information and shall not be used or reproduced or its contents disclosed in whole or in part, without the prior written consent of the Mann Teknik AB



11,4 kg

Dimensions are in metric.

Detail No:	Material	Ämne/Blank	Ytbeh./Treatment	Vikt/Weight
Mann Tek	Designed/drawn by G. Li	Scale: 1:2	Dimension with no tolerances acc to Machined SS-ISO 2768-1 medium Weld Forge SS-ISO 2768-1 coarse Surface roughness SS-ISO 1302 Form & position tol SS-ISO 2768-2-K	
	Checked P. Nyberg	Date 2013-10-28		
	Approved T. Mann			
Tank Unit 4" DCC Flange 4" ANSI Cl. 150			Data nr./Comp No. LC5_SMST	Blad/Sheet 1 / 1
			Drawing No. LC563A44-1	

NO.	Revision comprises	Date	Sign.	Appr by