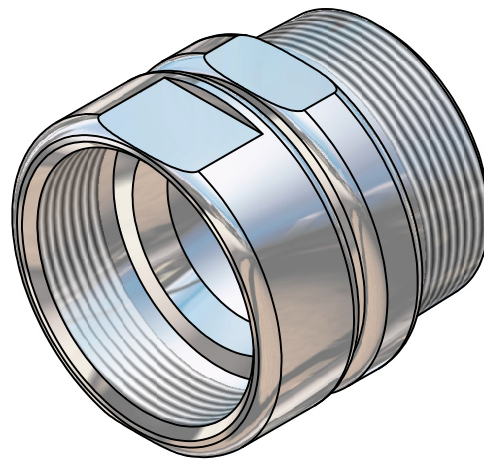
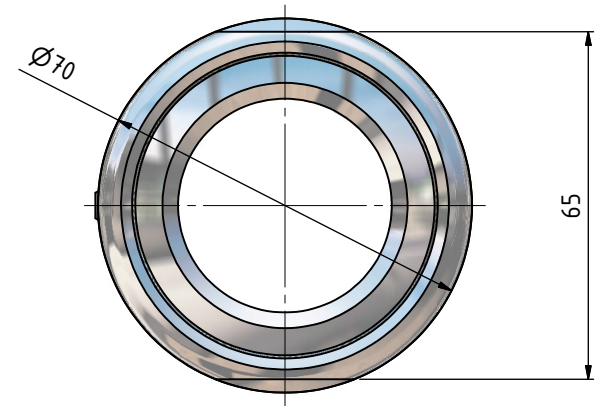
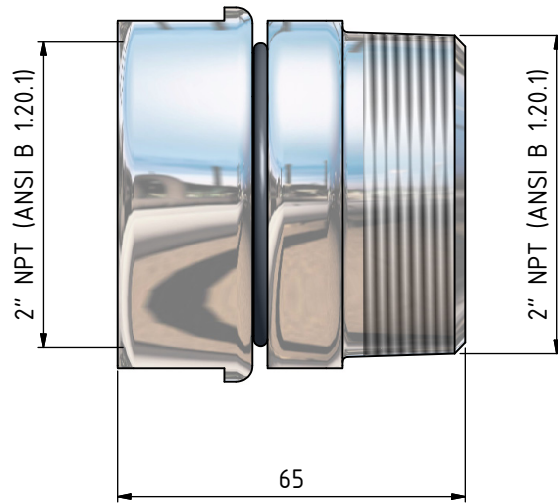


Notice. This drawing contains proprietary information and shall not be used or reproduced or its contents disclosed in whole or in part, without the prior written consent of the Mann Teknik AB



Dimensions are in metric.

Detail No:	Material	Ämne/Blank	Ytbeh./Treatment	Vikt/Weight
<b>Mann</b> T e h	Designed/drawn by G. Kopplin	Scale: 1:1	Dimension with no tolerances acc to	
	Checked G. Kopplin	Date 2008-09-12	Machined	SS-ISO 2768-1 medium
	Approved T. Mann		Weld Forge	SS-ISO 2768-1 coarse
			Surface roughness	ISO 1302
			Form & position tol	SS ISO 1101
<b>Swivel 2"</b> 2" NPT female - 2" NPT male			Data nr./Comp No.	Blad/Sheet 1 / 1
			Drawing No. <b>D11791401-1</b>	Rev.

NO.	Revision comprises	Date	Sign.	Appr by
-----	--------------------	------	-------	---------