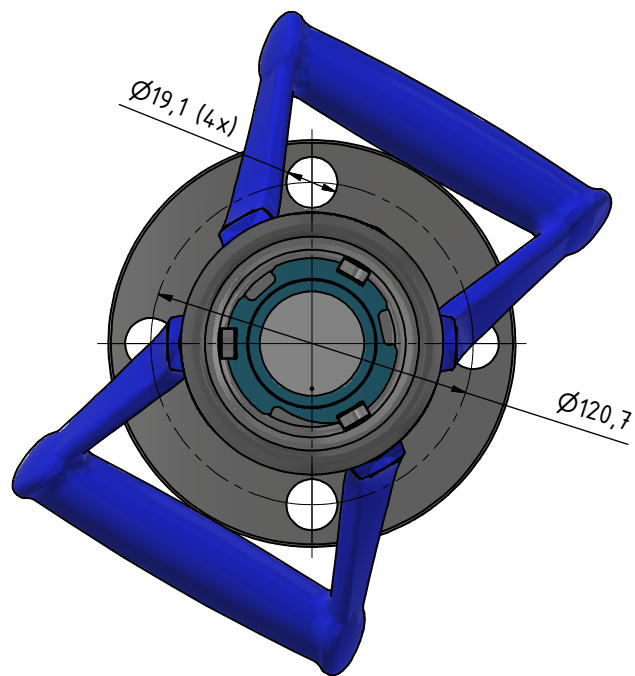
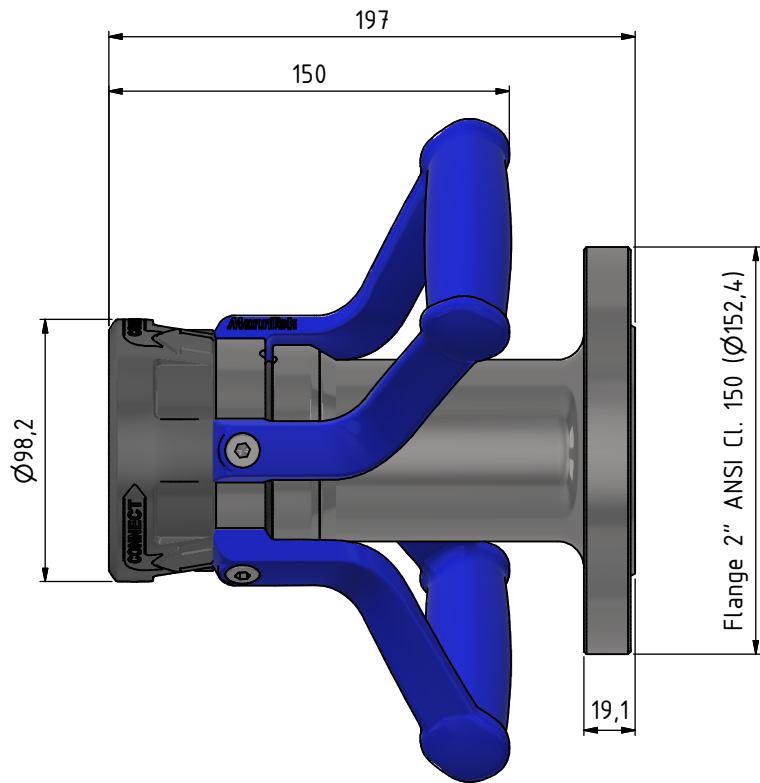
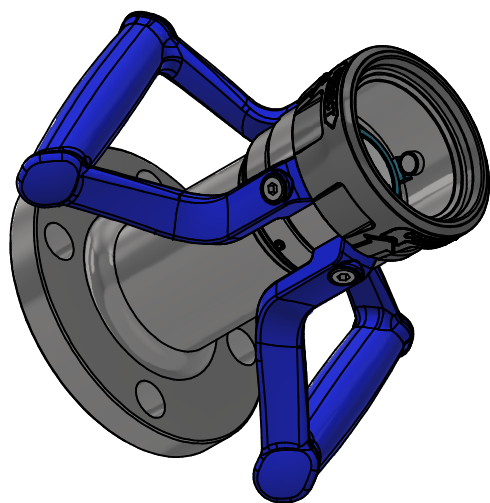


Notice: This drawing contains proprietary information and shall not be used or reproduced or its contents disclosed in whole or in part, without the prior written consent of the Mann-Teknik AB



NO.	Revision comprises	Date	Sign.	Appr by
-----	--------------------	------	-------	---------

Detail No:	Material	Ämne/Blank	Ytbeh./Treatment	Vikt/Weight
MannTek	Designed/drawn by J. Gustafsson	Scale: 1 : 2	Dimension with no tolerances acc to Machined SS-ISO 2768-1 medium Weld Forge SS-ISO 2768-1 coarse Surface roughness SS-ISO 1302 Form & position tol SS-ISO 2768-2-K	
	Checked G. Kopplin	Date 2024-04-19		
	Approved M. Bäckström			
Hose unit 2" - DDC Connection: 2" ANSI Cl. 150			Data nr./Comp No. 2S57A4401	Blad/Sheet 1 / 1
			Drawing No. 2S57A4401-1	Rev. -