



The Right Connection®

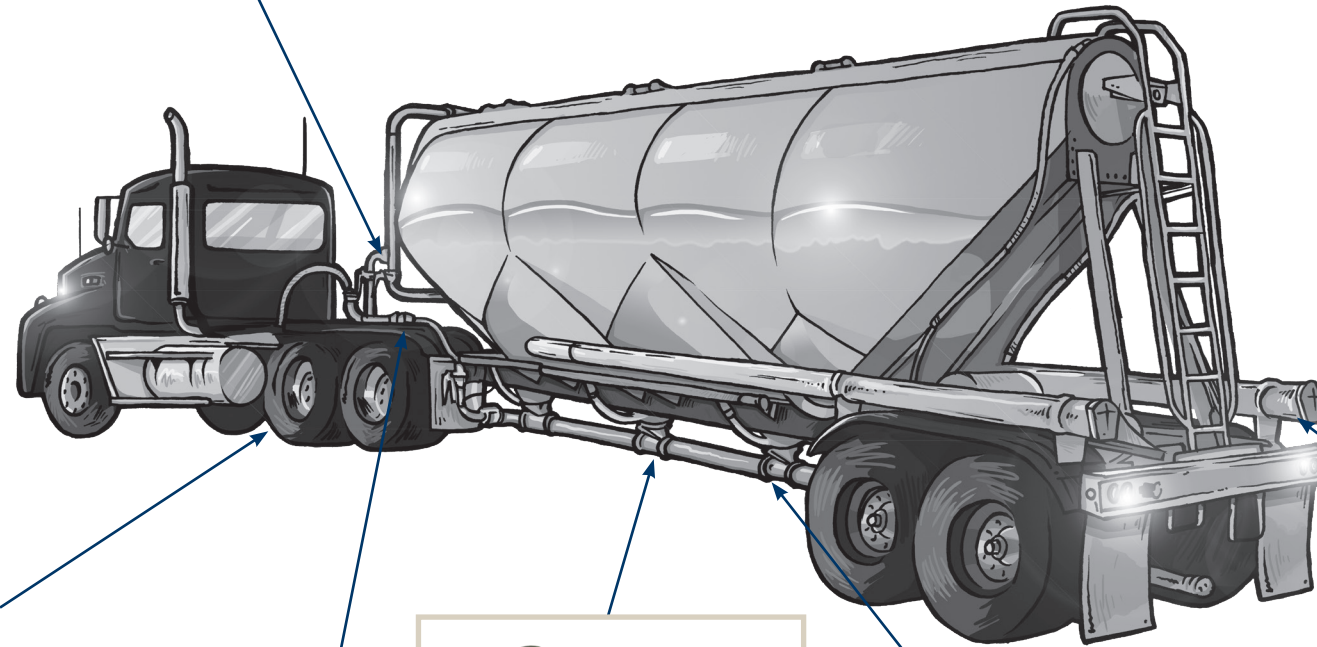


Air and Vacuum Relief Valves  
pages 2 - 7



Hose Accessories  
pages 9, 21, 25

**Dry Bulk Carrier**  
Bayco brand dry bulk products are designed for use with bulk trailers and truck blowers for the pneumatic transfer of dry bulk commodities such as powders, grains and plastic pellets. Other industrial applications are possible where pneumatic control of air or dry products is required.



Pneuclean™ Filter Systems  
page 12



Fluidizers  
page 20



Tube Doors  
page 21



Swing Check Valves  
pages 10 - 11



Butterfly Valves and Hopper Tees  
pages 16 - 19

\* All products can be found in the  
2014 Dixon Bayco Dry Bulk Catalog